



TH414

Telehandler



SPECIFICATIONS

Engine

Engine Model	Cat® C4.4 DITAAC
Gross Power	74.5 kW 100 hp
Maximum Torque	410 Nm at 1400 rpm
Bore	105 mm
Stroke	127 mm
Displacement	4.4 litre

Weights

Operating Weight	9360 kg
------------------	---------

Operating Specifications

Rated Load Capacity	3700 kg
Maximum Lift Height	13700 mm
Maximum Forward Reach	9225 mm
Top Travel Speed	32 kph
Load at Max Height – Stabilizers Up	2000 kg
Load at Max Height – Stabilizers Down	3700 kg
Load at Max Reach – Stabilizers Up	350 kg
Load at Max Reach – Stabilizers Down	1150 kg

Service Refill Capacities

Fuel Tank	150 litre
Hydraulic Tank	90 litre

Tyres

Standard	15.5/80-24 16PR
----------	-----------------

Brakes

Service Brake	Servo assisted on front axle
Parking Brake	Mechanical on front axle

Hydraulic System

Maximum System Pressure	250 bar
Maximum Pump Flow	113 L/min
Pump Type	Variable displacement load sensing axial piston pump
Auxiliary Hydraulic Supply – Intermittent	80 L/min
Auxiliary Hydraulic Supply – Continuous	60 L/min

Transmission Speeds

Forward – 1	7 kph
Forward – 2	12 kph
Forward – 3	21 kph
Forward – 4	32 kph
Reverse – 1	7 kph
Reverse – 2	12 kph
Reverse – 3	21 kph

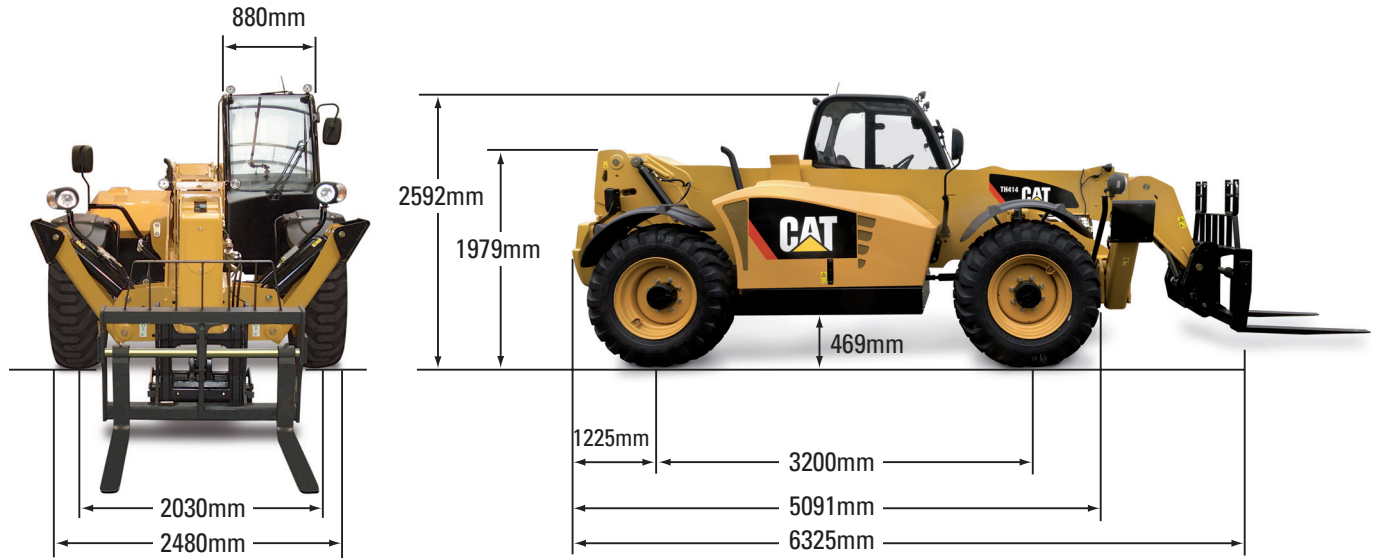
Boom Performance

Boom Up	13 Seconds
Boom Down	8 Seconds
Tele In	10 Seconds
Tele Out	11 Seconds
Crowd Forward (dump)	3 Seconds
Crowd Backward	3 Seconds
Combined – Up and Out	23 Seconds
Combined – Down and In	17 Seconds
Drawbar Pull 74.5 kW	8972 kg

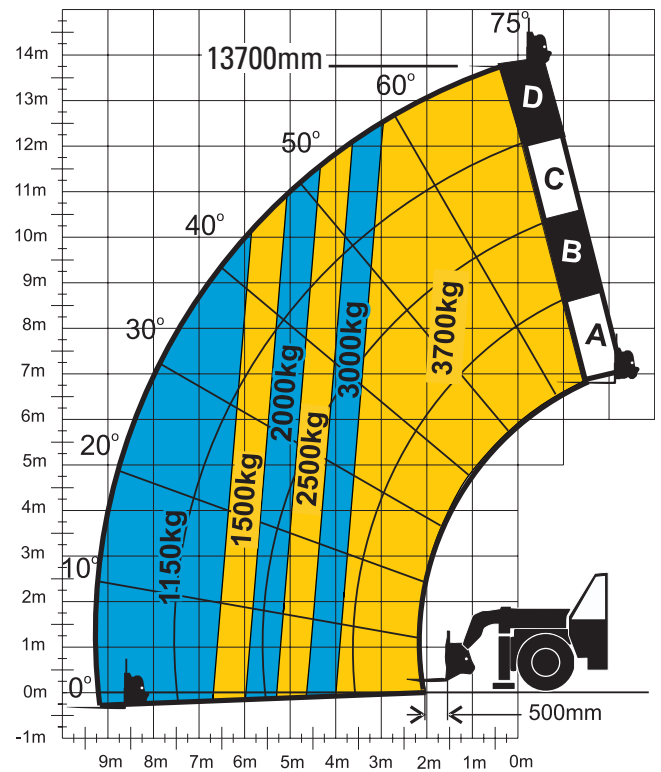
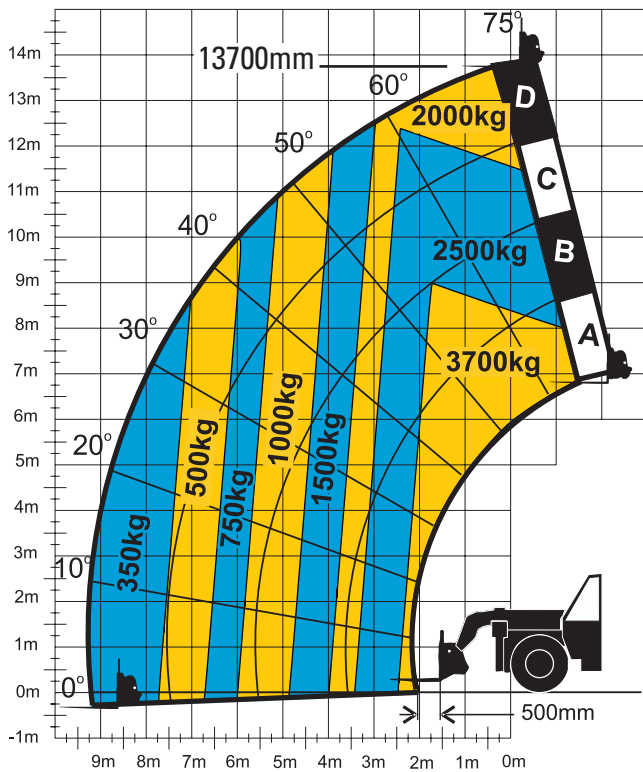
Sound

Operator Sound	78 dB(A)
Exterior Sound - 74.5 kW Engine	106 dB(A)

Dimensions



Load Chart



Due to continuous product improvements, machine specifications and/or equipment changes may be made without prior notification.

©2007 Caterpillar Inc. All Rights Reserved. CAT, CATERPILLAR, their respective logos, "Caterpillar Yellow" and the POWER EDGE trade dress, as well as corporate and product identity used herein, are trademarks of Caterpillar and may not be used without permission.

www.cat.com

